

# ALPI ROBOT

## To the future of agriculture.

# Level 45.13

## Radio controlled tractor

The Level 45.13 tractor is specifically designed to work on steep slopes, allowing farmers to tackle challenges without compromising the quality of their work. Its versatility makes it ideal for a wide range of crops and agricultural operations.

The radio control with display and range up to a distance of 150 m guarantees the operator the management of activities from a safe position, reducing the risk of accidents in the field.

With appropriate tools it can be used for shredding grass, weeding, pesticide treatments, trimming, chipping grass clippings, etc.

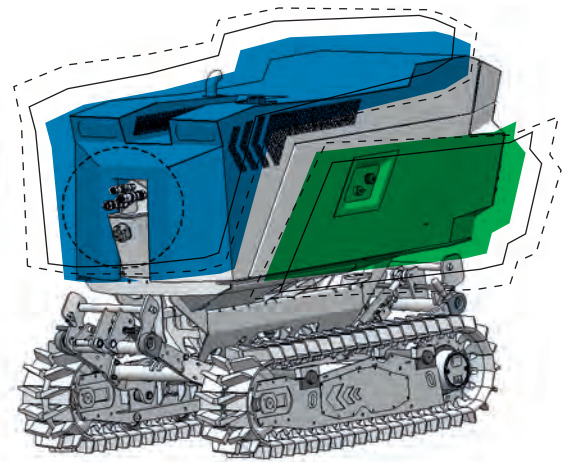
The machine is interconnected, therefore it has the possibility of exchanging data with a remote control center, respecting the requirements of agriculture 4.0

Level 45.13 represents the future of slope farming, offering efficiency, safety and optimal performance to meet the needs of modern farmers.

### ALPIrobot. The future in agriculture is here

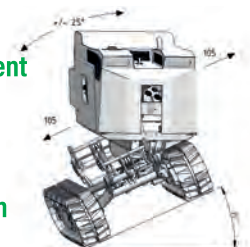
ALPIrobot was born from the desire to design and introduce onto the market innovative machines for use in agriculture, dedicated to extreme working conditions.

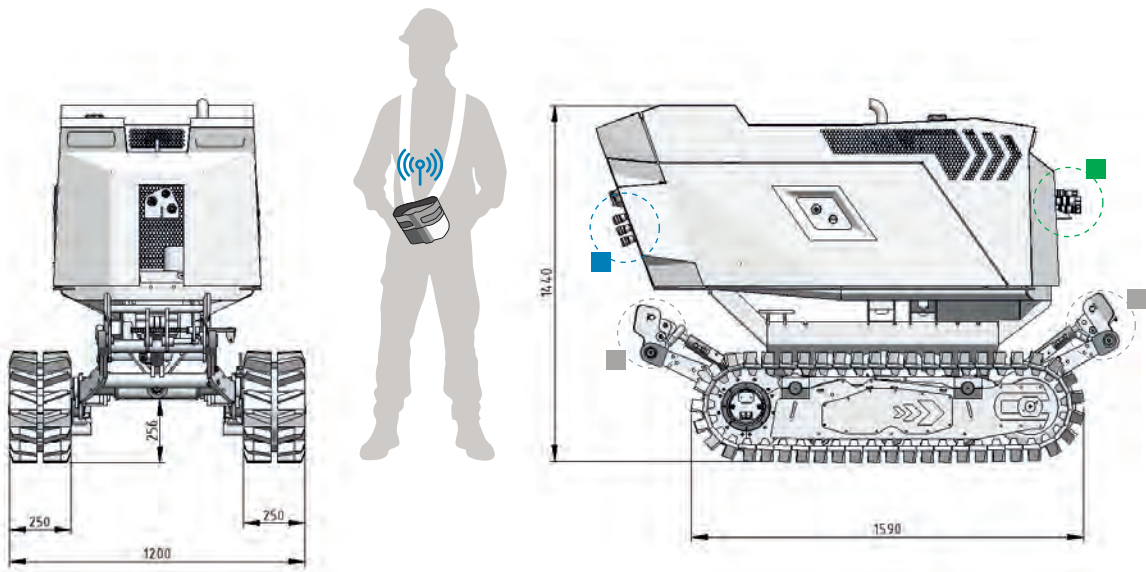
The team has a long history behind it in the world of mobile machines for use in mountain environments.

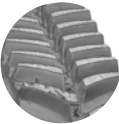



### Why unique?

- Front and rear hydraulic lines
- Front and rear lifting with load capacity of 500 kg
- "ALPIrobot" quick coupling which allows rapid replacement of tools
- Automatic electro-hydraulic tensioning system of the tracks
- Leveling patented automatic with excellent weight distribution on the two tracks.  
Rotation +/- 25°  
Translation +/- 105 mm of the machine body.





<p><b>Hydraulic system</b> ■■</p>	<p>The pump group consists of an electronically controlled variable displacement main pump for controlling the front implements, two variable displacement pumps for controlling the tracks and a service pump.</p> <p>All the quick couplings mounted on the hydraulic lines are "FLAT FACE" therefore they do not disperse fluid into the environment during the coupling/uncoupling operations.</p> <p><b>Front hydraulic lines</b>                  2 3/4" high pressure lines with Pmax = 280 bar, 0.60 l/min                  The 2 lines can function both as pressure and as return line                  1 x 1/2" drain line</p> <p><b>Rear hydraulic lines</b>                  1 1/2" pressure line with Pmax = 150 bar, 0.28 l/min                  1 x 1/2" return line                  1 1/4" pressure line with Pmax = 200 bar, 0.9 l/min</p>
<p><b>Front and rear lifting</b> ■</p>	<p>Load capacity 500 kg.</p> <p>Both lifts are equipped with 2 hydraulic cylinders positioned inside the patented track frames, are equipped with a hydraulic hitch operated by radio control and are equipped with the "ALProbot" quick coupling which allows rapid replacement of the tools.</p>
<p><b>Tanks</b></p>	<p>Fuel tank capacity: 45 litres                  Oil tank capacity: 30 litres                  Pressurized stainless steel oil tank</p>
<p><b>Engine</b></p>	<p>1642 cm3 3-cylinder engine, Stage V Tier 4F certified                  Maximum power 32.5 kW / 45 CV HP @ 3000 rpm                  Liquid cooling</p>
<p><b>Various</b></p>	<p>Automatic electro-hydraulic tensioning system of the tracks which allows the optimal tension of the tracks to be maintained, avoiding that the track coming out of its seat, typical of machines working on slopes</p> <p>Radiator fan capable of reversing the air flow allows self-cleaning.</p> <p>Patented automatic leveling with excellent weight distribution on the two tracks, thanks to both the +/- 25° rotation and the +/- 105 mm translation of the machine body.</p> <p>Weight without accessories: 1,350 kg                  Track ground pressure 0" (Starting from 1350 kg weight) P= 232 g/cm2                  Speed 0.7 km/h with 3 different control steps (slow/medium/fast)</p>
<p><b>Customization</b></p>	<p>Possibility of customizing the colors of the cover                  Possibility to choose the type of front/back accessories                  Possibility to choose the type of track, choosing between:</p> <div style="display: flex; justify-content: space-around; align-items: center;"> <div style="text-align: center;">  <p>standard</p> </div> <div style="text-align: center;">  <p>optional</p> </div> </div>